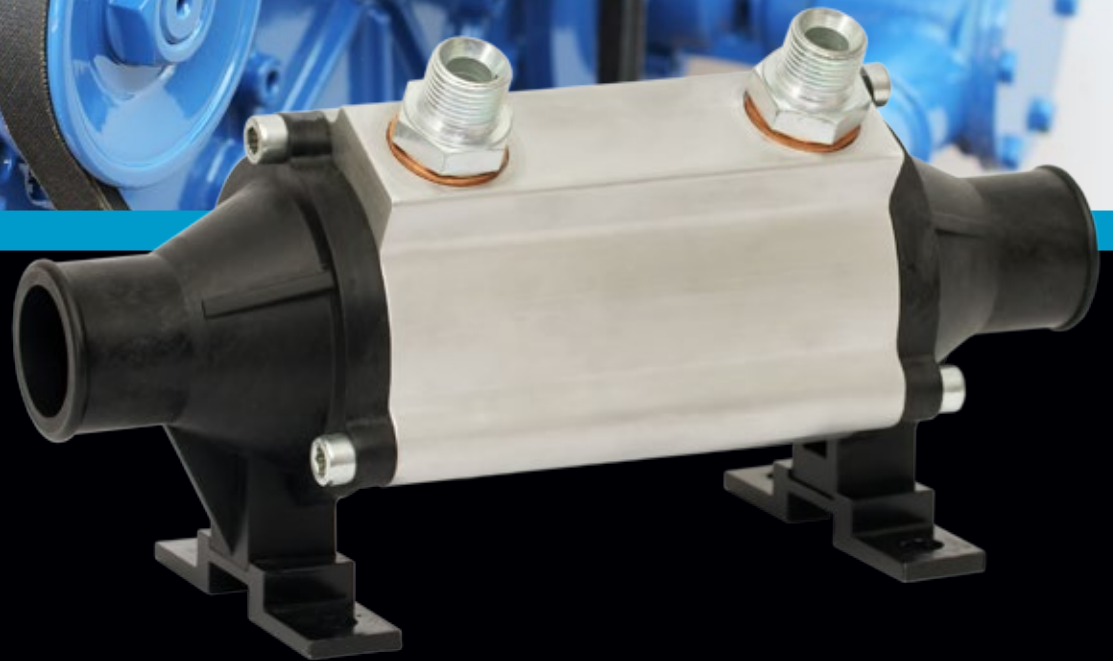
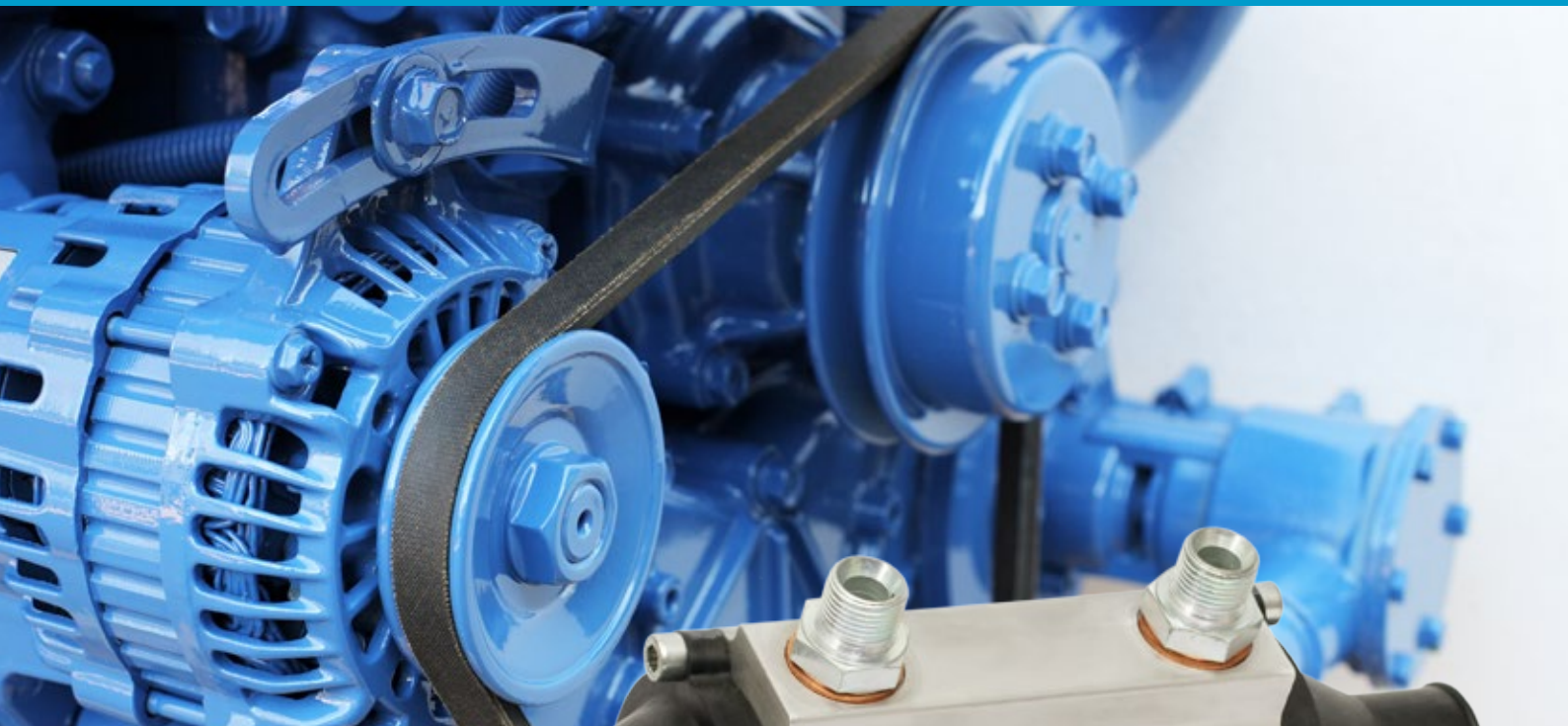




Performance
Cooling
Products

Thermex Gearbox Oil Coolers



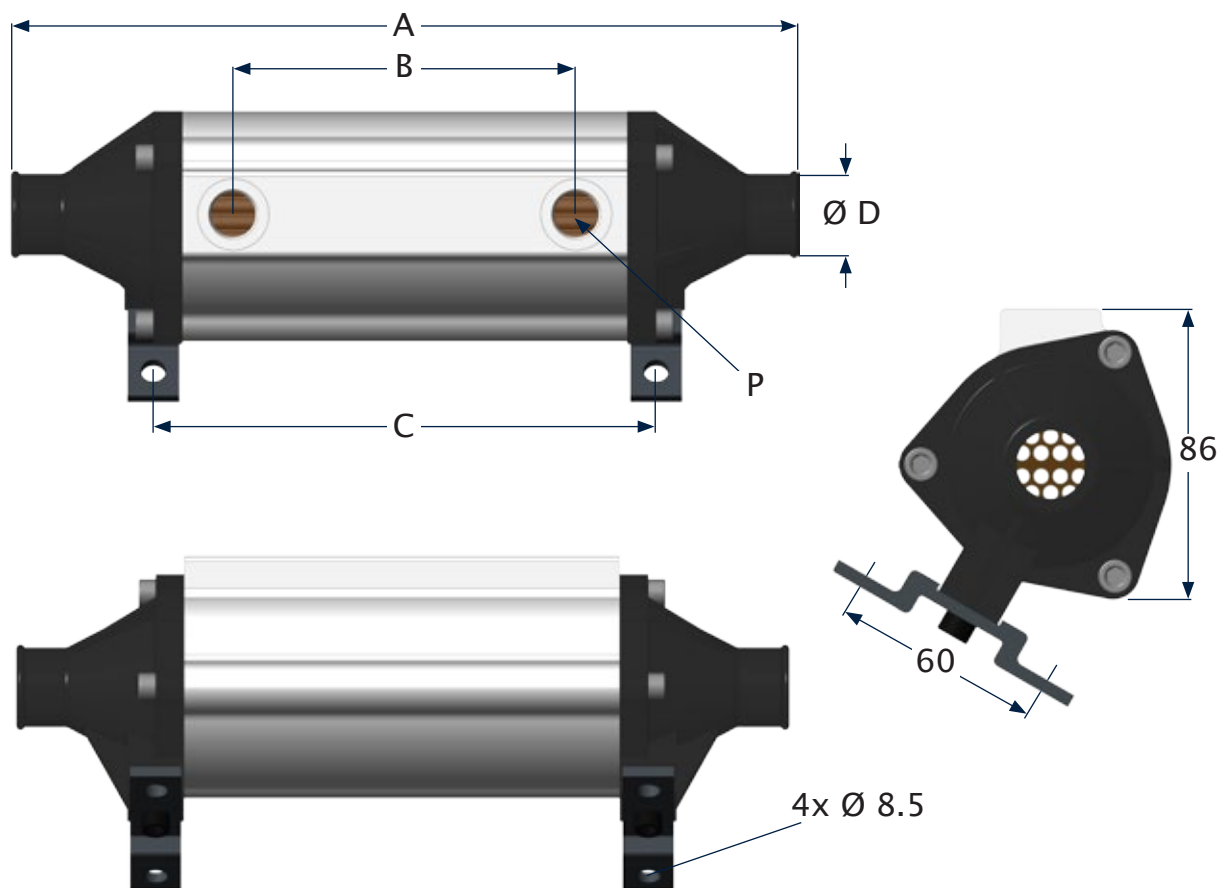
Thermex Gearbox Oil Coolers are a new generation of Marine Transmission Cooler providing an efficient and reliable cooling solution at a competitive price.

Compared with traditional brass tube coolers, the Thermex Gearbox Oil Coolers provide an increase in performance, thanks to the high density tube stack and efficient cooler design. This allows for a smaller cooler to be used reducing costs and space claim.

• Materials

| | | |
|--------------------|---|----------------------------|
| Tubes | - | 90/10 Cupro-Nickel |
| Tube Plates | - | Naval Brass |
| Shell | - | Aluminium |
| Headers | - | Glass Filled Nylon (GFN50) |

• Dimensions



| Model Number | A (mm) | B (mm) | C (mm) | "S" Size D (mm) | "L" Size D (mm) | "S" Size P (BSP) | "L" Size P (BSP) |
|--------------|--------|--------|--------|-----------------|-----------------|------------------|------------------|
| GB50 | 242 | 89 | 144 | 28 | 34 | 3/8" | 1/2" |
| GB60 | 271 | 118 | 173 | 28 | 34 | 3/8" | 1/2" |
| GB90 | 315 | 162 | 217 | 28 | 34 | 3/8" | 1/2" |
| GB120 | 433 | 280 | 335 | 28 | 34 | 3/8" | 1/2" |

Part Number

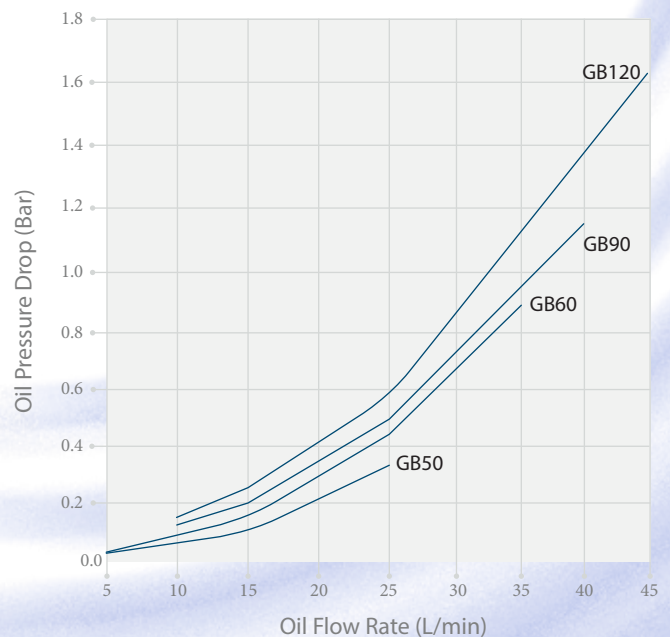
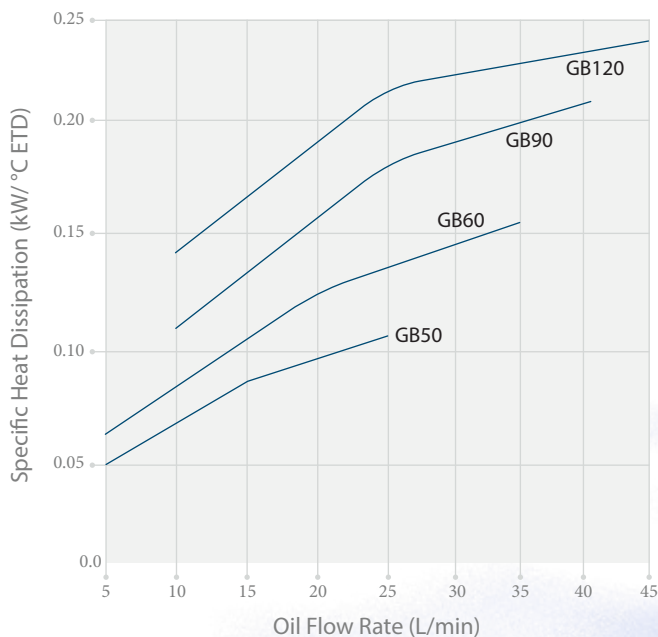
Thermex Gearbox Oil Coolers are available in various lengths with a choice of oil and water connection sizes, making them suitable for a greater number of transmissions and engines.

Start by selecting your model number (see drawings on previous page for dimensions) followed by the oil connection size, then the water connection size and finally your part number based on whether you require the mounting feet shown in the drawing or just two M6 holes (without foot) instead.

| Model Number | Oil Circuit Connection Size | Water Circuit Connection Size | Part Number | |
|--------------|-----------------------------|-------------------------------|--------------|-----------|
| | | | Without Foot | With Foot |
| GB50 | 3/8" BSP | 34mm | GB50-SLN | GB50-SLF |
| | | 28mm | GB50-SSN | GB50-SSF |
| | 1/2" BSP | 34mm | GB50-LLN | GB50-LLF |
| | | 28mm | GB50-LSN | GB50-LSF |
| GB60 | 3/8" BSP | 34mm | GB60-SLN | GB60-SLF |
| | | 28mm | GB60-SSN | GB60-SSF |
| | 1/2" BSP | 34mm | GB60-LLN | GB60-LLF |
| | | 28mm | GB60-LSN | GB60-LSF |
| GB90 | 3/8" BSP | 34mm | GB90-SLN | GB90-SLF |
| | | 28mm | GB90-SSN | GB90-SSF |
| | 1/2" BSP | 34mm | GB90-LLN | GB90-LLF |
| | | 28mm | GB90-LSN | GB90-LSF |
| GB120 | 3/8" BSP | 34mm | GB120-SLN | GB120-SLF |
| | | 28mm | GB120-SSN | GB120-SSF |
| | 1/2" BSP | 34mm | GB120-LLN | GB120-LLF |
| | | 28mm | GB120-LSN | GB120-LSF |

Performance

The figures below were calculated using a transmission fluid equivalent to ISO VG32 grade oil at 85°C and water at 25°C





Thermex Ltd

Merse Road, North Moons Moat, Redditch, Worcestershire, B98 9HL, U.K.

Tel: +44 (0)1527 62210 – Fax: +44 (0)1527 60138

www.thermex.co.uk – sales@thermex.co.uk